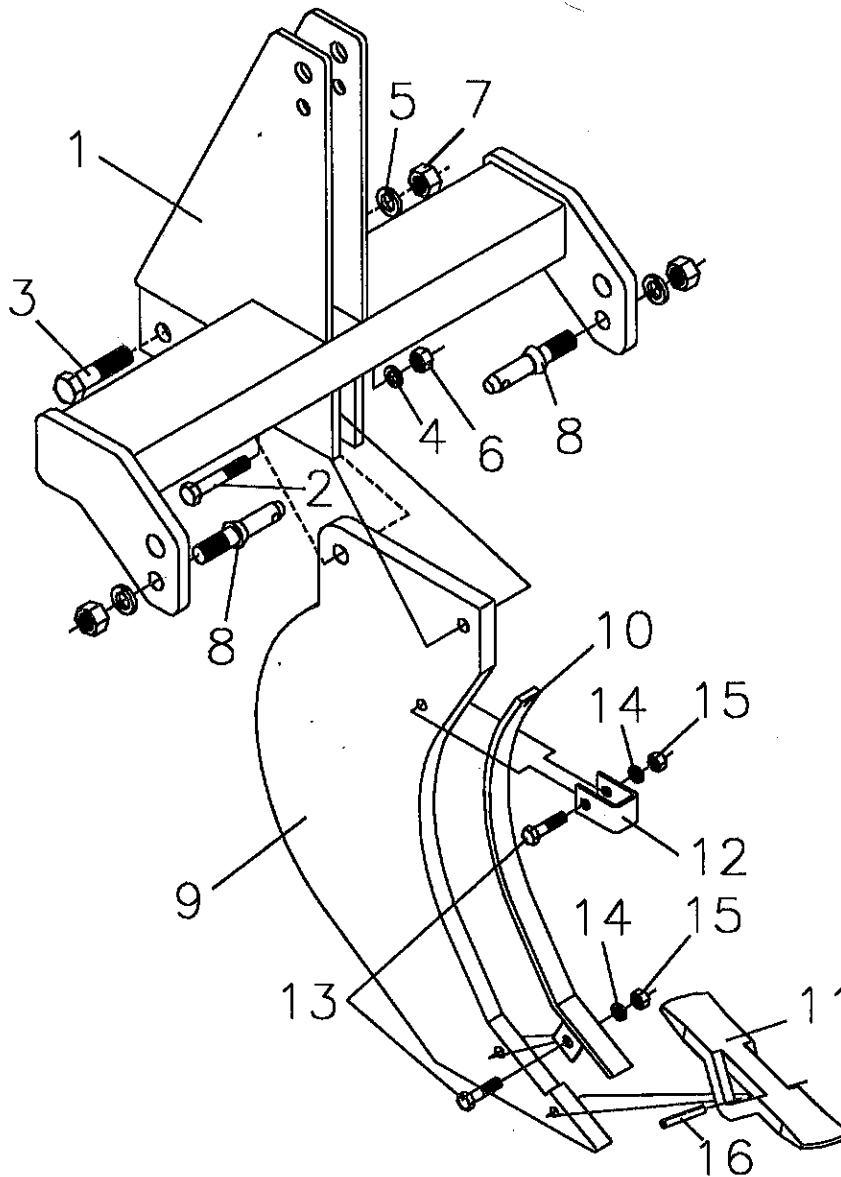


R-130 SINGLE SHANK RIPPER



REF NO.	PART NO.	DESCRIPTION	NO. REQ.
1	800135	Main Frame Weldment (R-130)	1
2	2503049	Bolt 5/8"-11NC x 3 1/2" Hex Head Gr.2 (Shearbolt)	1
3	2503082	Bolt 7/8"-9NC x 3 1/2" Hex Head	1
4	2502007	Washer 5/8" Springlock	1
5	2502005	Washer 7/8" Springlock	1
6	2500013	Nut 5/8"-11NC Full Hex	1
7	2500015	Nut 7/8"-9NC Full Hex	1
8	590108	Pull Pin - Cat. 1 (AK-578)	2
9	800124	30" Shank (R-Series)	1
10	800130	Wear Strip Weldment	1
11	800126	Reversible Point (R-Series)	1
12	380180	Wear Strip Clip	1
13	2503007	Bolt 1/2"-13NC x 2" Hex Head	2
14	2502002	Washer 1/2" Springlock	2
15	2500003	Nut 1/2"-13NC Full Hex	2
16	2504195	Roll Pin 1/2" x 2 1/2"	1